

Mr. William Jr.

VENTILATION - CONTROLLER

(Junior)

INSTALLATION



1. Temperature Sensor

Please, observe correct polarity when connecting the sensors ! **Plus = white** and **minus= brown**.

Temperature sensor adjustment Normally it is not necessary to adjust the temperature input. But if you want to:
To the left from the sensor terminals 5. and 6.,

there is a potentiometer P2: **Temp**

Just. It has 20 revolutions.

1. Measure the temperature by the sensor.
2. Set the big blue knob on this temperature reading.
3. Turn the potentiometer P2 until you read 120 V on the fan out put, terminal 3. and 4.

Error ? If the temperature sensor is connected with wrong polarity, the input is short circuited and the fan is running at full speed. If no connection to sensor, it will run at low (minimum) speed no matter how the big blue knob is positioned..

2. Fuse strategy

Circuit protection is solely depending on a compulsory fuse (maximum rated 10 Amps) at the mains power supply.

There are no on board fuses to prevent the most frequent cause of malfunction: blown fuse. In case of overload the triac will blow, which will rarely happen. This strategy has been chosen to protect your livestock. It is important to check that the load do not exceed the rated Amps stated on the product label: 5, 8 or 10 amps

3. Adjustment of the fan speed at minimum and maximum revolutions

To the Right, there are two potentiometers labelled:

MIN. **MAX.**
Ventilator **Ventilator**

Max. Set the big temperature knob on 0°C. Adjust the P4 on the edge of full speed, (not more, but a little cutback).

Min.. Set the big temperature knob on 40°C. Adjust the P3 to a speed - slow as possible - but where the fan wings still seems blurred.. Factory setting = 70 V AC

4. Xp-band

The Xp-band (potentiometer P5 at top right) is factory set to 4°C but may be adjusted from 2°C - 10°C .

Mr. William Jr.

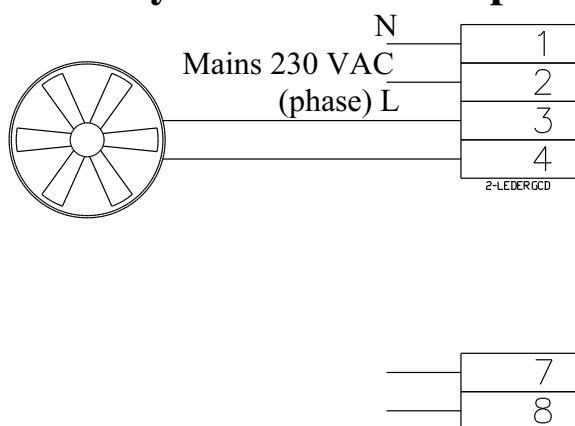
VENTILATON - CONTROLLER

WIRING

The easiest way of installing is 2-way conductor setup. However some fan motors runs better, when using a 3-way conductor setup. Please consult the supplier of the fans, if you should choose 2- or 3-way conductor setup.

The low voltage cables should be shielded and rodent resistant. The shield connects to GND. We recommend a light flexible cable like YSY-JZ. Sufficient thickness = .6 square mm

2-way conductor setup



3-way conductor setup

